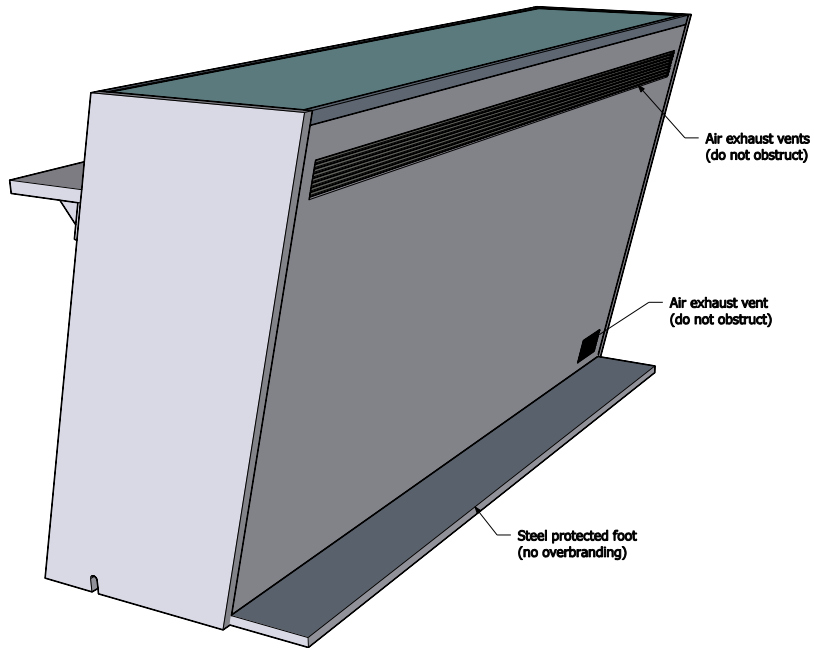




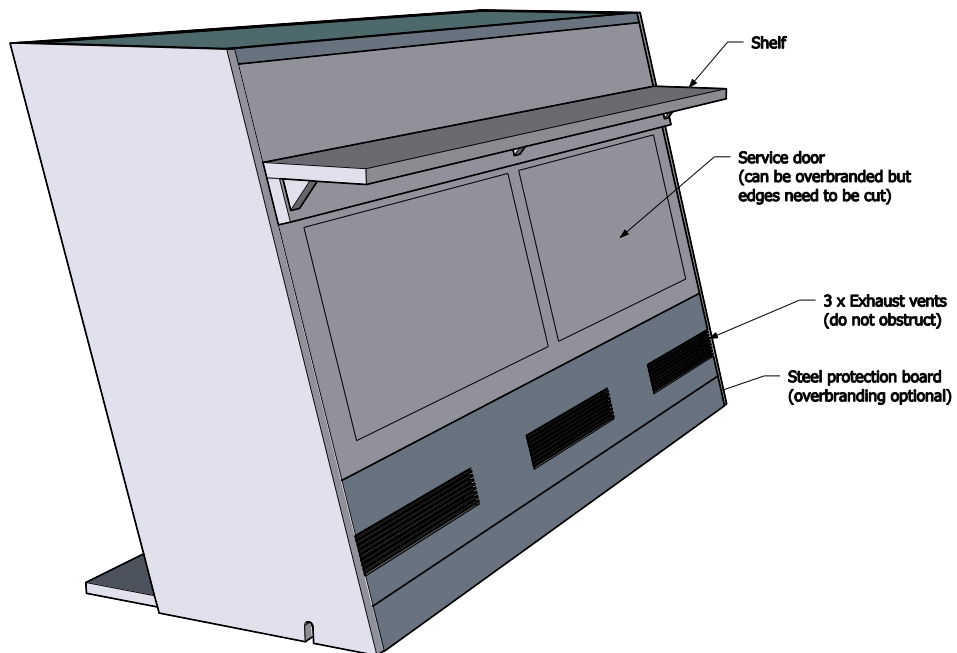
Drawings for Overbranding

iBar Cabinet v1.6

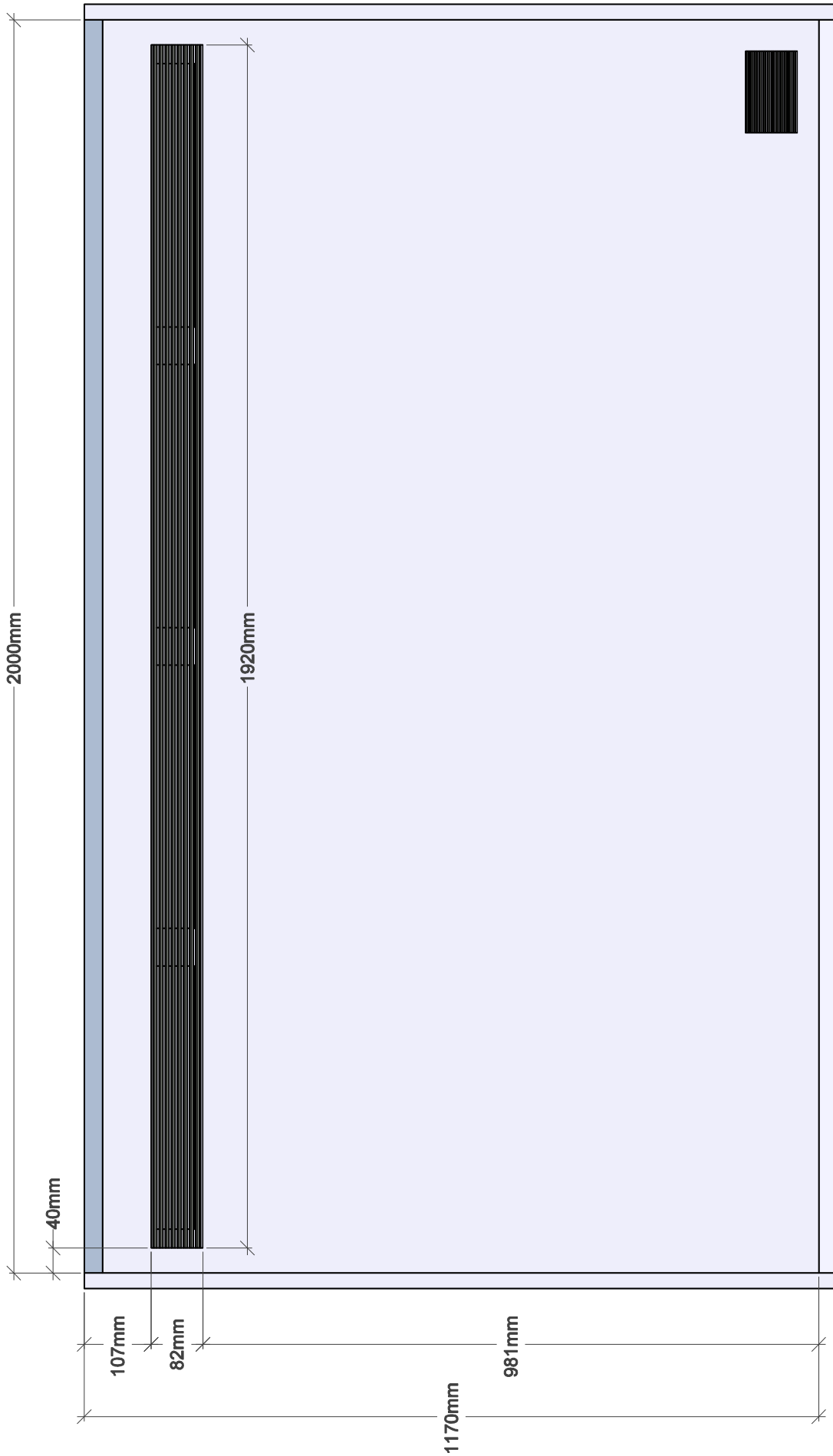
Overview Front



Overview Back



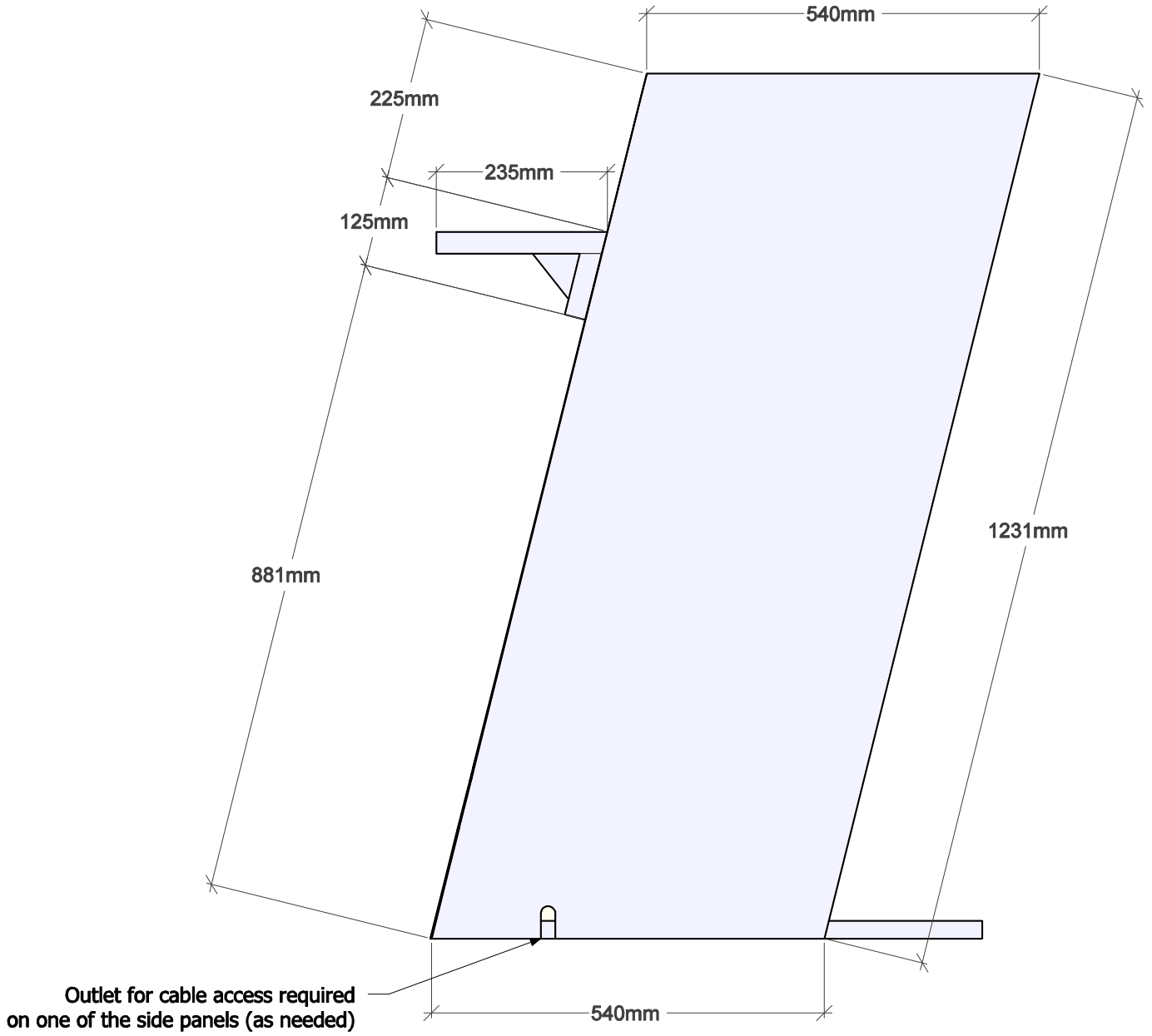
Measurements for overbranding front



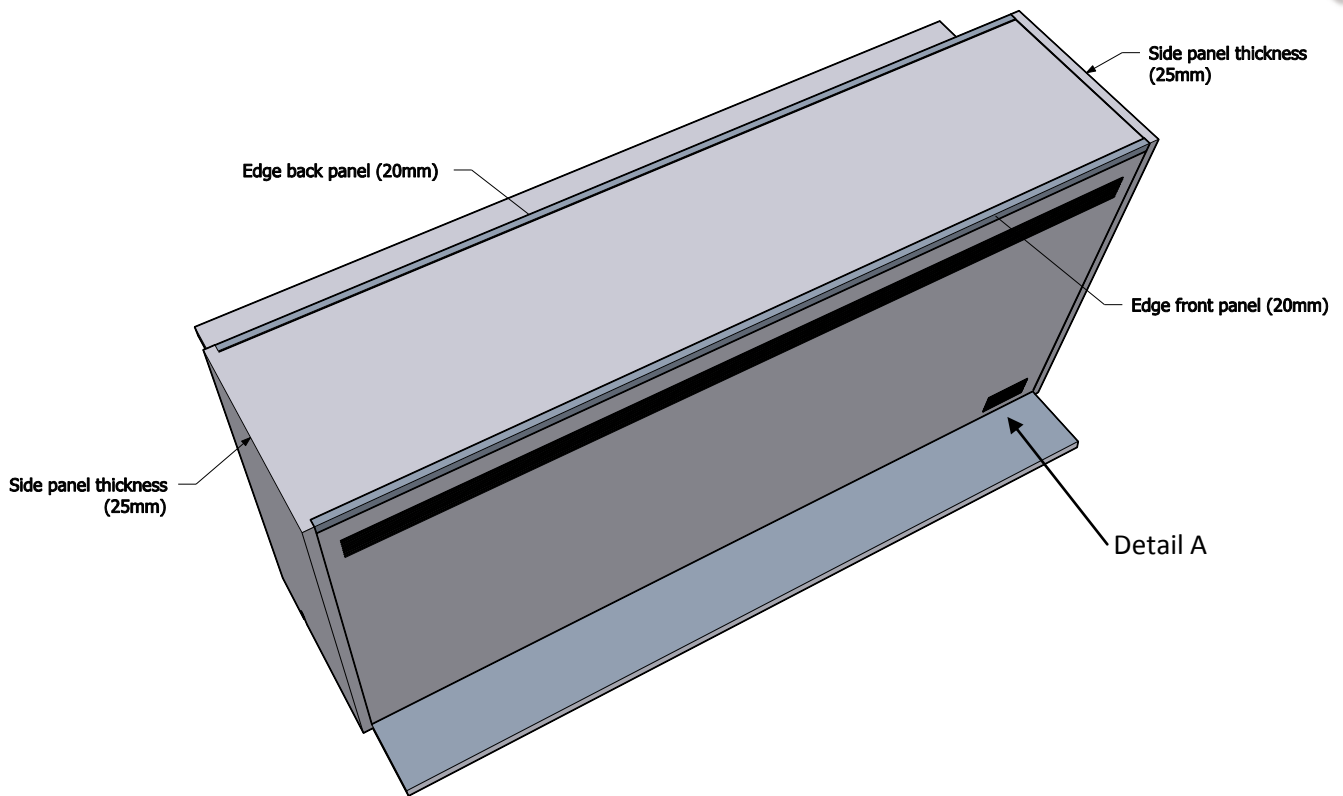
Measurements overbranding back



Measurements for overbranding side (2x)



Overbranding along the surface



Detail A: Air exhaust in front

(do not obstruct)

