

# PANASONIC 103" PLASMA



PANASONIC 103" PLASMA MOUNTED ON MOTORISED SCREENLIFTER



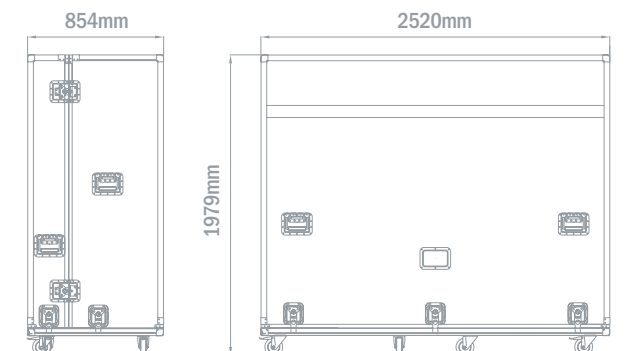
SCREENLIFTER UNIT FOR PANASONIC 103" PLASMA

DISPLAY	
Screen Size	103"
Resolution	1920 x 1080
Aspect Ratio	16 : 9
Brightness	1000 cd/m <sup>2</sup>
Contrast Ratio	5000 : 1
Viewing Angle	160°
SIGNAL INPUT	
PC	VGA, DVI-D
Video	Component
Network	N/A
POWER	
Power Consumption	1500W
Standby Power	0.9W (power save on)
FEATURES	
Multimedia Speakers	N/A
Mac Compatibility	Yes
Wall Mount	Yes
Cabinet Colour	Black
Accessories	Remote Controller, Operating Instructions
DIMENSIONS	
Product Dimensions (with Stand)	N/A
Product Dimensions (without Stand)	2414mm x 1421mm x 129mm
Shipping Dimensions (in Standard Flight Case)	2573mm x 1745mm x 700mm
WEIGHT	
Product Weight	220kg
Shipment Weight	355kg
STAND	
Standard	Screenlifter
Optional	Pedestal, Wall Bracket

# PANASONIC 103" PLASMA

## WITH SCREENLIFTER

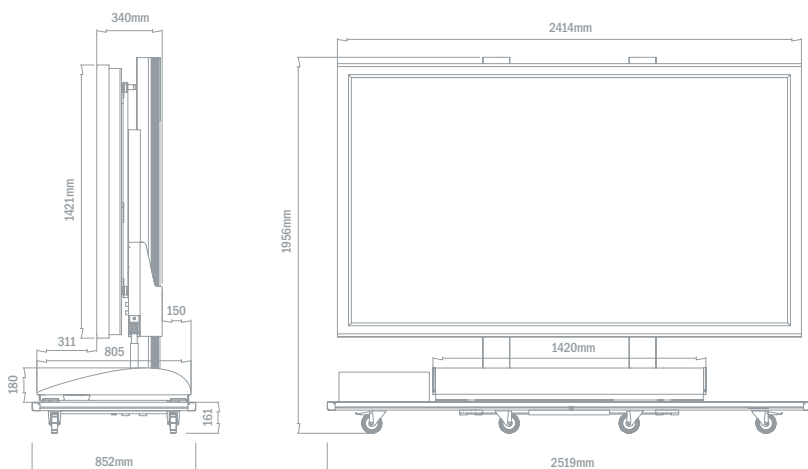
### SCREENLIFTER FLIGHTCASE



#### SCREENLIFTER FLIGHTCASE

Flightcase Dimensions	2520mm x 1979mm x 854mm
Flightcase Weight	650kg

### SCREENLIFTER



#### SCREENLIFTER

Dimensions (Screen + Screenlifter)	2414mm x 1760mm x 805mm
Max Height lower edge of screen (Landscape)	1573mm
(Portrait)	1076mm
Max Height of System (Landscape)	2995mm
(Portrait)	3490mm
Rotation Angle of Screen	90° clockwise
Weight (Screenlifter only)	216.5kg
Standard Colour	Aluminium