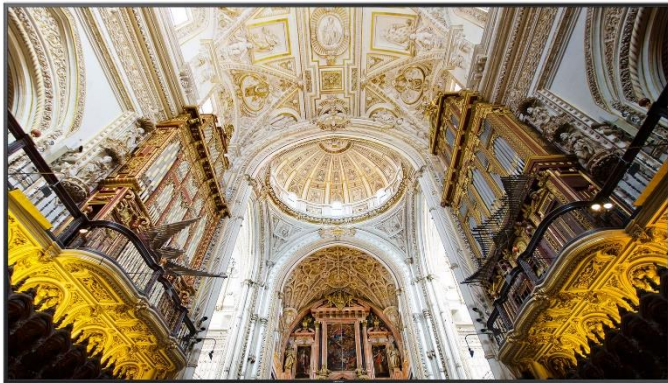


Samsung 85" SMART Signage

QM85N



Samsung's QMN Series displays deliver content with added precision and visual impact while also improving operational efficiency. Through advanced UHD picture quality, the QMN Series displays foster an inviting and memorable viewing environment in any indoor setting. Additionally, Backed by the powerful TIZEN operating system the QMN Series displays feature a host of business-ready functionalities while also protecting business and customer data through enhanced security measures.

Standard Rental Package

Cables	HDMI x2, DisplayPort x1
Remote	Included
Flightcase	
DVI Distribution Amplifier	N/A

Input & Controls

Recommended	HDMI x 2 / Display Port 1.2, DVI, USB 2.0 x 2, Stereo mini-jack
-------------	---

General Specification

Screen Size	85"
Model Reference	QM85N
Aspect Ratio	16:9
Contrast Ratio	3000:1
Brightness	500 cd/m ²
Resolution	3840 x 2160 4K UHD
Built-in Speakers	15W + 15W

Physical Specification

Width	1903.4 mm
Height	1090.5 mm
Depth	105.1 mm
Weight	50.7 kg
Bezel width	13.2/13.2/19.3

Power

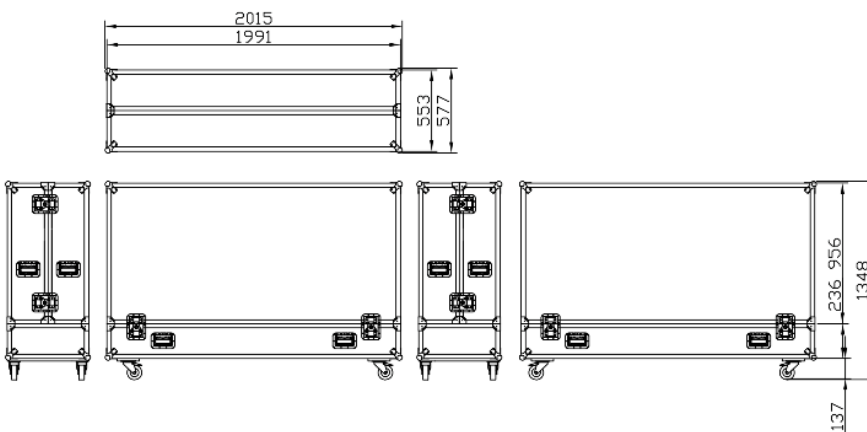
Power Supply	AC 100 - 240 V~ (+/- 10 %), 50/60 Hz
Power Consumption	495 W (Max) 362 (Typical)

Operation

Temperature	+0 to + 40°C
Humidity	10% ~ 80%

Flightcase (Single)

Length	2021 mm
Width	561 mm
Height	1342 mm
Weight	TBC KG



Flightcase (Double)

Length	2015 mm
Width	577 mm
Height	1348 mm
Weight	TBC KG