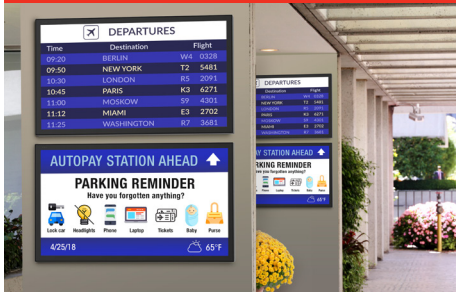


XHB553-EUK



# 55" Xtreme™ High Bright Outdoor Display

There has never been an outdoor daylight readable display built to withstand the harsh outdoor elements like the Peerless-AV® Xtreme™ High Bright. Featuring an IP66 Rated design and a patented Dynamic Thermal Transfer™ System, Xtreme High Bright Outdoor Displays are maintenance-free, and are fully protected against water, dust, moisture and even insects. The display's cover glass is optically bonded, which increases the perceived contrast ratio and cuts down on glare, providing amazing picture quality even in direct sunlight. With an operating temperature range of -35°C to 60°C, Xtreme Displays are designed to thrive year-round outside, without worry of extreme hot or cold temperature waves. This High Bright line of commercial displays offer 2500nits of light output to combat high ambient lighting conditions, while the ambient light sensor automatically adjusts the display's brightness to optimise the power consumption and enhance the viewing experience. Providing unmatched capabilities, Xtreme High Bright Outdoor Displays are the perfect digital signage or entertainment solution for any professional application.

All Weather Rated (IP66)



Operating Temperature Range:

-35°C to 60°C  
(-31°F to 140°F)

- Optically bonded, anti-reflective cover glass increases the perceived contrast ratio and cuts down on glare, providing amazing picture quality, even in direct sunlight
- Daylight readable with LED backlight and full HD 1080p resolution for a bright, crisp picture
- Includes Quarter Wave Plate polariser, allowing for portrait and landscape installations
- Remote and Local monitoring, supported via IP addressable user interface, for temperature, humidity, and power draw diagnostics of the display
- Fully-sealed, rugged display designed for 24/7 operation in harsh environments year-round

**AMBIENT LIGHT SENSOR**

Automatically adjusts brightness to best match the lighting conditions, which optimises the display's power consumption and enhances the viewing experience (optional ALS extender accessory available)

**HIGH BRIGHT OUTPUT**

Offers 2500nits of light output to combat high ambient lighting conditions



**FULLY-SEALED DESIGN**

IP66 rating prevents the ingress of foreign materials, such as water, dust, moisture and insects, from entering the display

**IK10 RATED, IMPACT RESISTANT, TEMPERED COVER GLASS**

Protects the screen against vandalism and debris



**PATENTED DYNAMIC THERMAL TRANSFER™ SYSTEM**

Keeps internal components properly cooled in extreme heat

**VESA® MOUNTING PATTERN**

Provides cost savings and flexibility in outdoor rated mount selection



**XHB553-EUK 55" Xtreme™ High Bright Outdoor Display**

**LCD Display**

SCREEN SIZE	55" Class (54.6" Diagonal)
ACTIVE SCREEN AREA	1209.6 x 680.4mm (47.62" x 26.79")
PIXEL PITCH	.63 x .63mm
ASPECT RATIO	16:9
RESOLUTION	1920 x 1080
COLOUR DEPTH	10Bit (1.07 Billion Colors)
BRIGHTNESS	2,500cd/m <sup>2</sup>
COLOUR GAMUT	72% NTSC
BACKLIGHT ADJUSTMENT	Automatic (Ambient Light Sensor)
CONTRAST RATIO	4000:1
VIEWING ANGLE	178° Vertical/Horizontal
DISPLAY ORIENTATION	Portrait/Landscape
RESPONSE TIME	8ms (Gray to Gray)
REFRESH RATE	60Hz
OPERATING TIME	24/7

**TV Features**

Auto Source Switching (Fail-Over), Pixel Shift, Ambient Light Sensing, Power Scheduling, Display Monitoring with Alerts (Temperature, Humidity, Power Draw, Gyroscope), Weekly Logging of Parameters, IP Control

**Mechanical**

SIZE (W x H x D)	1272 x 743 x 101mm (50.07" x 29.24" x 3.98")
COLOUR	Black
GLASS	IK10 Rated, Tempered & Anti-reflective
VESA® PATTERN	600 x 400mm, 600 x 600mm
NET WEIGHT	44.9kg (99lb)
INPUT COMPARTMENT (W x H x D)	377 x 122 x 30mm (14.84" x 4.80" x 1.18")

**Power**

AC INPUT	100 VAC to 240 VAC, 50 to 60 Hz
POWER CONSUMPTION	Typical: 325W Maximum: 364W
STANDBY POWER	< 0.5W (passive mode) 1.5W (active mode)

**Input/Output Connections**

HDMI INPUT	HDMI (x2), 480i, 480p, 720p, 1080i, 1080p
CVBS INPUT	3.5mm (x1)
DISPLAYPORT	DP (x1)
ANALOG AUDIO OUTPUT	3.5mm Headphone Jack (x1)
DIGITAL AUDIO OUTPUT	Optical (x1)
USB DATA INPUT	USB 2.0 A (x1) [Audio, Video, Text & Photo]
RS232 INPUT	3.5mm TRS Jack (x1)
RS232 OUTPUT	(for future use)(x1)
12VDC 2.5A OUTPUT	2.5mm (x1)
USB POWER 5VDC 2.4A OUTPUT	USB 2.0 A (x1)
IR EXTENDER INPUT	3.5mm (x1)
IR OUTPUT (REPEATER)	3.5mm (x1)
AMBIENT LIGHT SENSOR EXTENDER	3.5mm (x1)
LAN INPUT	RJ-45 (x1)

**Environmental**

OPERATING TEMPERATURE	-35°C - 60°C (-31°F - 140°F)
IP RATING	IP66
REGULATORY	FCC Class A, eULus, CE, UKCA

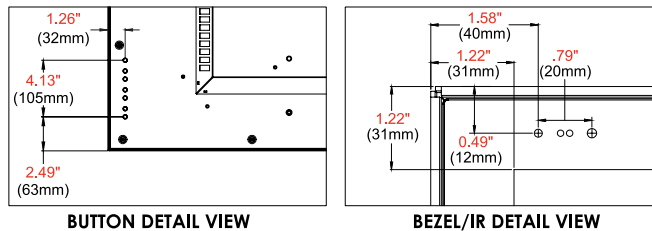
**Package Specifications**

	PACKAGE SIZE (W x H x D)	PACKAGE SHIP WEIGHT	PACKAGE UPC CODE	PACKAGE CONTENTS	UNITS IN PACKAGE
<b>XHB553-EUK</b>	1441 x 870 x 254mm (56.75" x 34.25" x 10.00")	51.26kg (113lb)	735029344339	Display, Waterproof Universal Remote Control, User's Guide, 3mm Hex Wrench, Power Cord and IR Extender	1

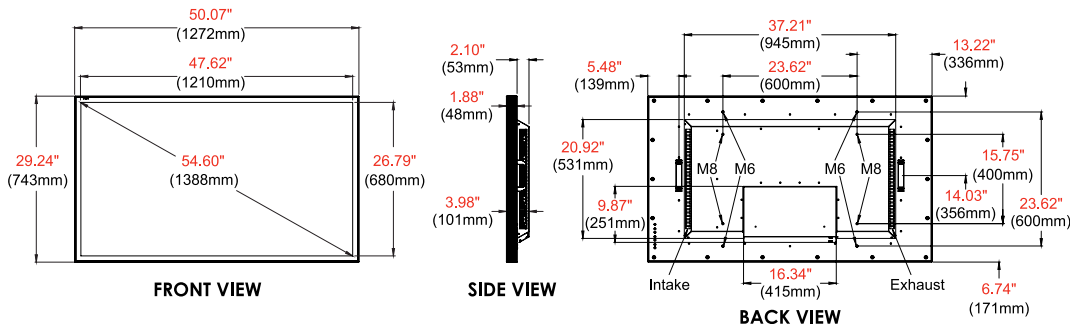
**Accessories**

ACCD-05K:	5 Volt Accessory Kit	EPT650:	Outdoor Universal Tilt Wall Mount
ACCD-12K:	12 Volt Accessory Kit	ESF655P:	Outdoor Universal Flat Mount - Portrait
ACCD-ALS:	Ambient Light Sensor Extender	EST655P:	Outdoor Universal Tilt Mount - Portrait
ACCD-IRREP:	IR Repeater	ESA763PU:	Outdoor Articulating Wall Mount

- Note: Sensor on top left in landscape  
Sensor on top right in portrait
- Note: Mount points for M6 is 8mm MAX. depth  
Mount points for M8 is 40mm MAX. depth
- Note: M8 VESA fasteners must always be present, even if not mounting on VESA locations
- Weight: 44.9kg (99lb)



All dimensions = inch (mm)



**Architect Specifications**

The Xtreme™ High Bright Outdoor Display shall be a Peerless-AV model XHB553-EUK and shall be located where indicated on the plans. Assembly and installation shall be done according to instructions provided by the manufacturer.

Visit [peerless-av.com](http://peerless-av.com) to see the complete line of AV solutions from Peerless-AV, including outdoor displays, kiosks, display mounts, projector mounts, carts/stands, and a full assortment of accessories.

**Peerless-AV**  
2300 White Oak Circle  
Aurora, IL 60502 USA  
**(800) 865-2112**  
**(630) 375-5100**  
**Fax: (800) 359-6500**

**Peerless-AV EMEA**  
Unit 3 Watford Interchange  
Colonial Way, Watford  
Herts, WD24 4WP  
United Kingdom  
**+44 (0) 1923 200100**  
**Fax: +44 (0) 1923 200101**

**Peerless-AV Latin America**  
Av. de las Industrias 413  
Parque Industrial Escobedo  
General Escobedo, N.L.,  
México, 66062  
**+52 (81) 8384-8300**  
**Fax: +52 (81) 8384-8360**

